

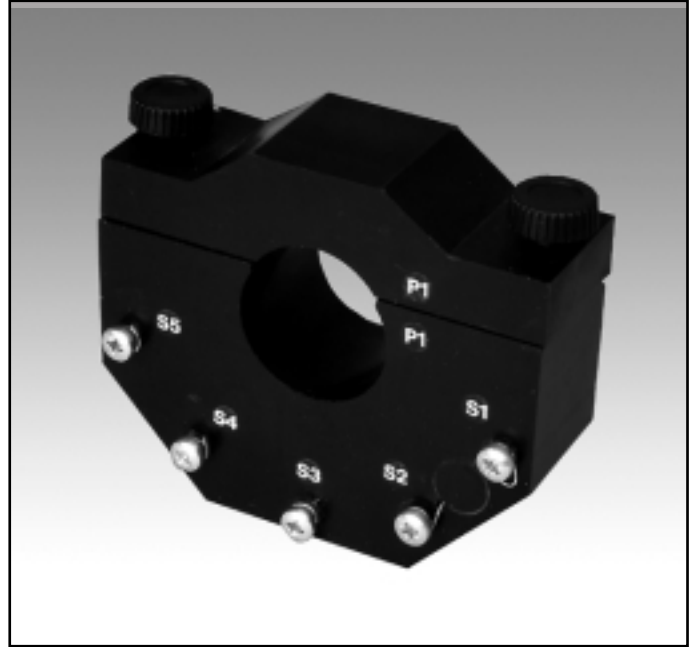
ENCAPSULATED MULTI-RATIO SPLIT CORE CURRENT TRANSFORMERS

DESCRIPTION

A split-core current transformer with four built-in current ratios in one product. Suitable for use up to 400A using cable primaries.

APPLICATION

The split-core design allows installation into existing networks without disconnecting cables or busbar circuits. The multi-ratio feature is ideally suited to stockists, distributors and contractors who need instant access to popular CT ratios up to 400A in one stock item.



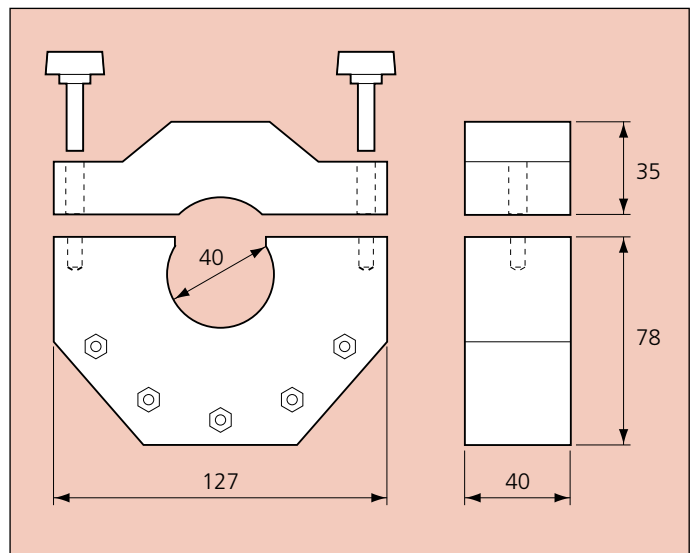
RANGE

Part No	Class Accuracy	Measuring Range	Burden
CTSCNEN100<400/5	1	100/5A	1.5VA
		200/5A	3.0VA
		300/5A	5.0VA
		400/5A	5.0VA

TECHNICAL SPECIFICATION

- Conforms to IEC 185/BS7626 and BSEN 60044-1/IEC 60044-1.
- Rated system voltage 0.72/3kV.
- Ambient temperature range -30°C to 80°C.
- Frequency range 50-60Hz.
- Insulation level 3kV for 1 minute.
- Continuous current, 1.2 x rated current.
- CE approved.

DIMENSIONS (mm)



Our policy is one of continuous development and therefore specifications may change without notice.

HOWARD BUTLER LTD

CROWN WORKS, LINCOLN ROAD
WALSALL WS1 2EB ENGLAND

Tel: 01922 640003 Fax: 01922 723626

International Tel: +44 1922 640003 E-mail: sales@hobut.co.uk

<http://www.hobut.co.uk>