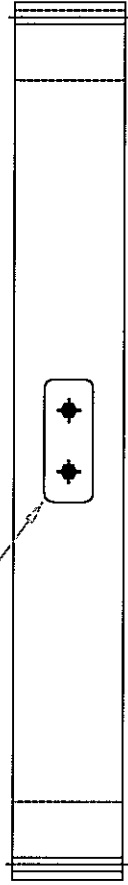
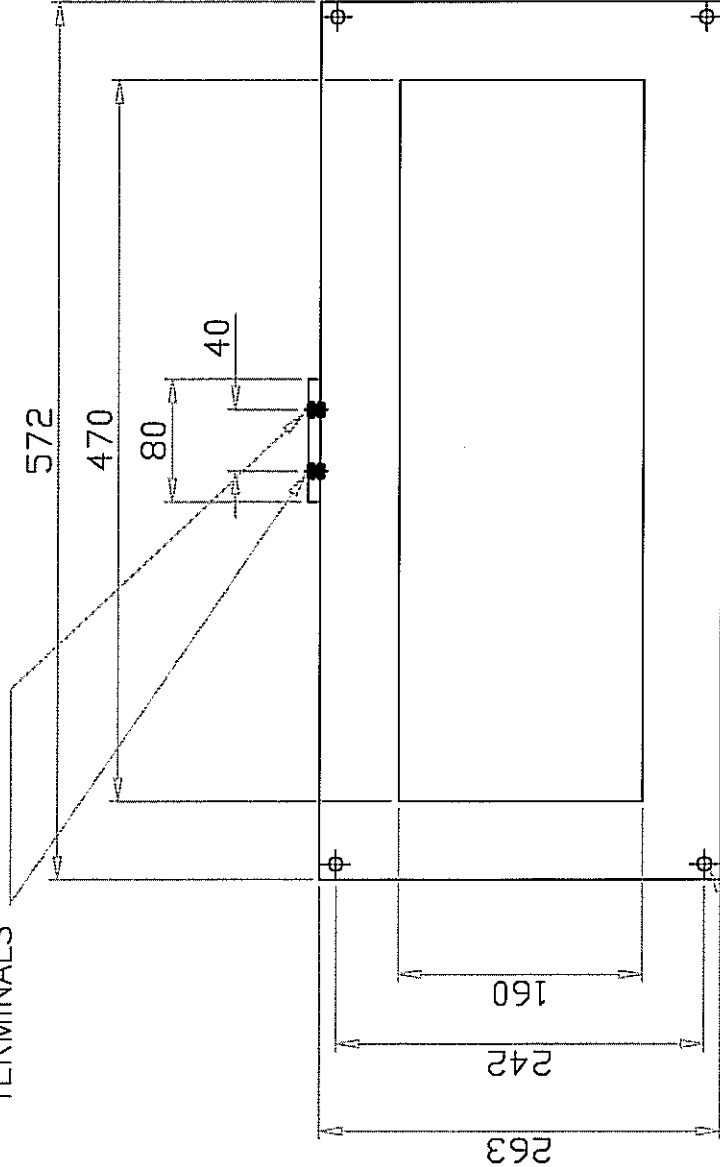


Title		ENCAP_CORE_BALANCE_CT						
Part No. -								
Material		RESIN CAST						
Finish		NATURAL						
1st Used on								
DOCUMENT ISSUE CONTROL	COPIES ISSUED TO: DEPT.							
	A	B	C	D	E	F	G	OTHERS
Issue	CCN No.	By	Date					
A	-							
Remarks								
TOLERANCES:-				General ±0.1				
				Holes & Hole Centres ±0.05 (UNLESS OTHERWISE STATED)				
DIMENSIONS IN mm				UNLESS OTHERWISE STATED				
SCALE:-				1:5				
DO NOT SCALE FROM PRINT								
Drawn	KJ	21.10.09						
Checked								
Approved								
COPYRIGHT RESERVED ©				HP-45				

R6 (TYP)



2 OFF, M5 TERMINALS



4 OFF, HOLES Ø9.0 THRU.

552

